



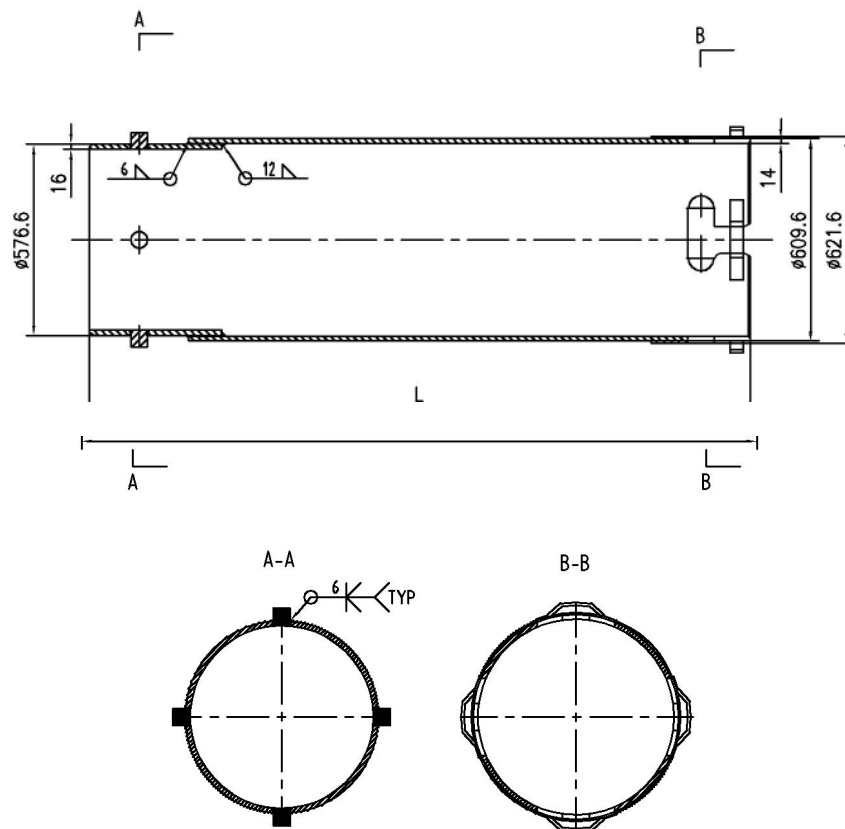
# Caisson Consultant Inc.

## Custom Style Sectional Casing

### Custom Sectional Style of Casing

Section Casing	CIF Toronto	
For Regular Piling Rigs	OD=24"	OD=30"
2m long	USD 1,944.00	USD 2,304.00
3m long	USD 2,592.00	USD 3,114.00
4m long	USD 3,240.00	USD 3,870.00
5m long	USD 3,870.00	USD 4,626.00
6m long	USD 4,500.00	USD 5,400.00
drive adaptor	USD 1,584.00	USD 1,800.00
2ft long casing shoe	USD 1,116.00	USD 1,440.00

joint thickness 20mm
shell thickness 14mm



**REQUEST ADDITIONAL INFORMATION**

Any Inquires Call:

Chris Wall, C.E.T.

Cell: 416-476-9074

Email: [chris@caissonconsultant.com](mailto:chris@caissonconsultant.com)

**Caisson Consultant Inc.**

125 Chiswick Cr, Aurora Ontario L4G 6P1  
 Phone: 905-841-2075 Fax: 905-841-3705