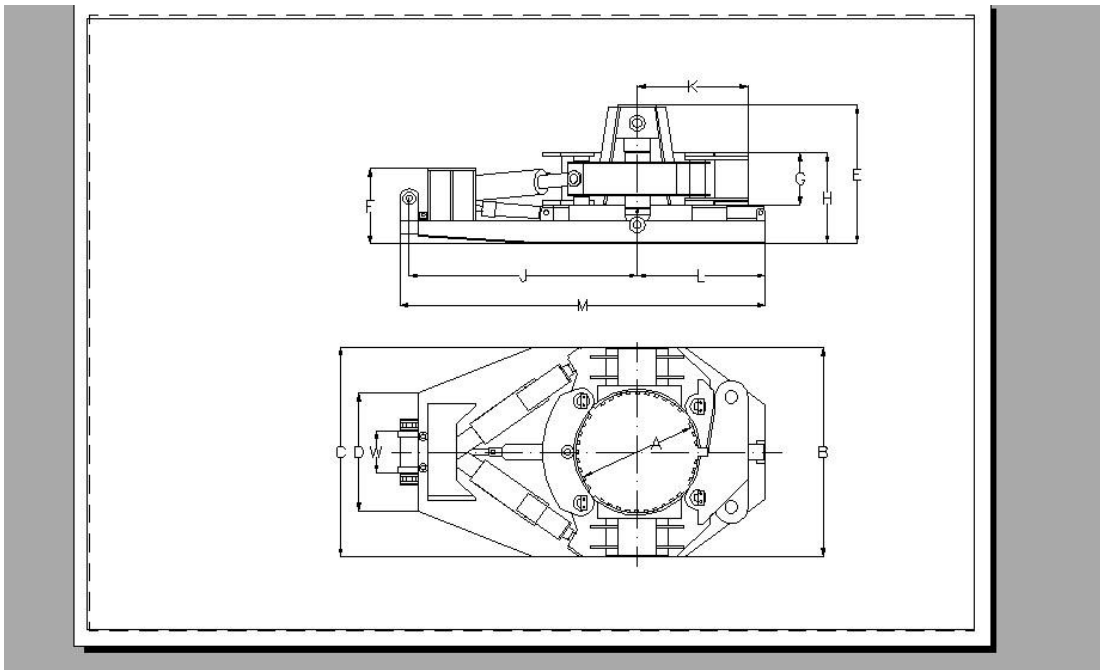
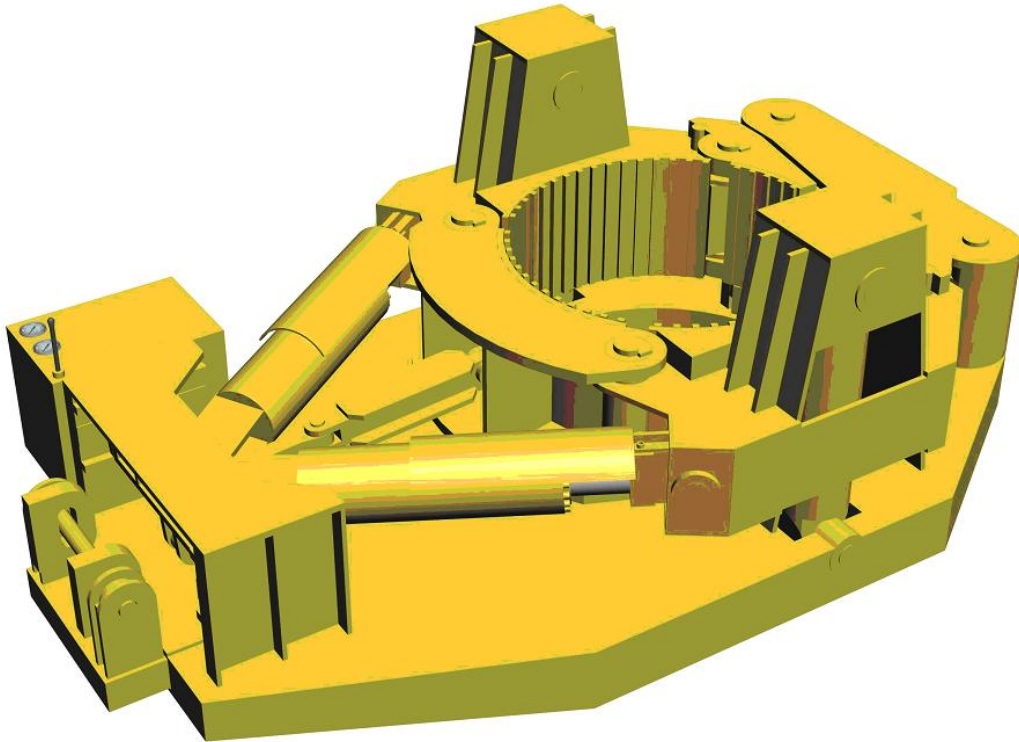




Caisson Consultant Inc. *New Equipment for Sale*

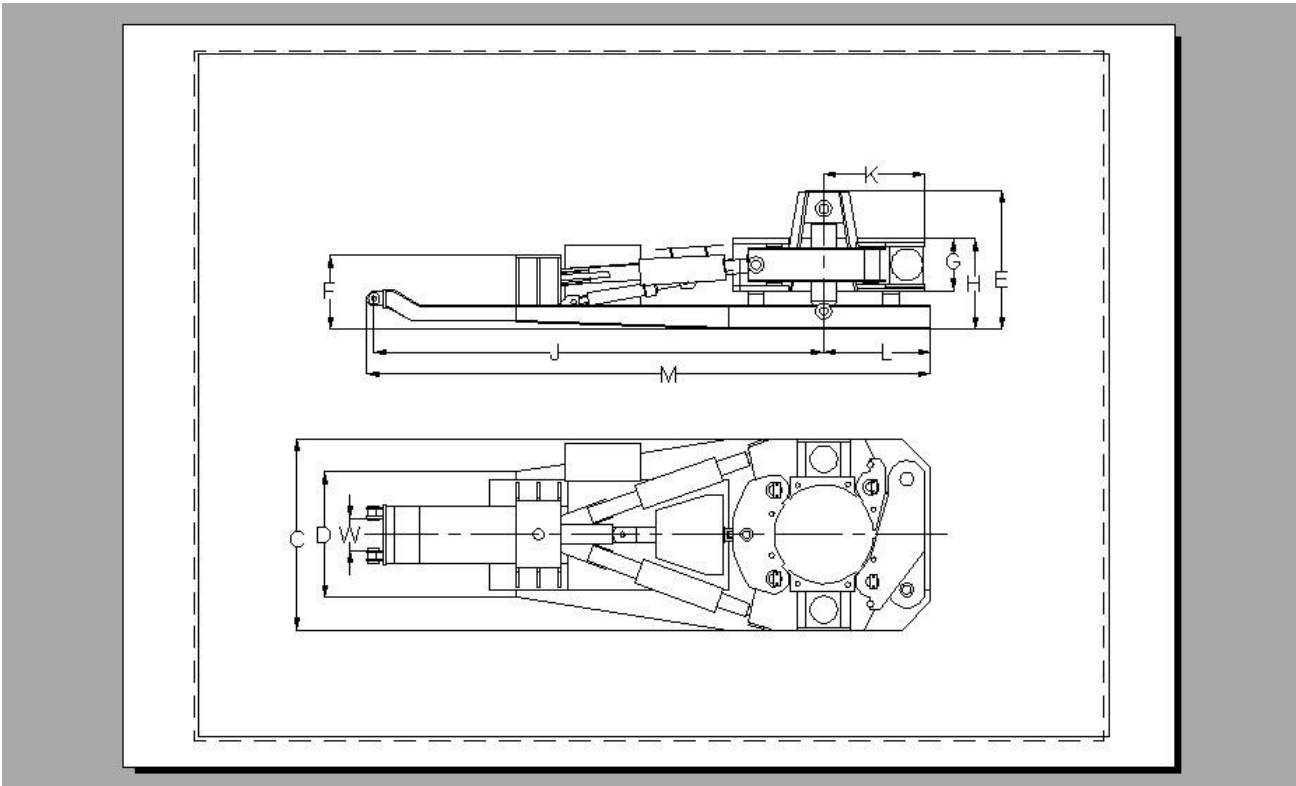
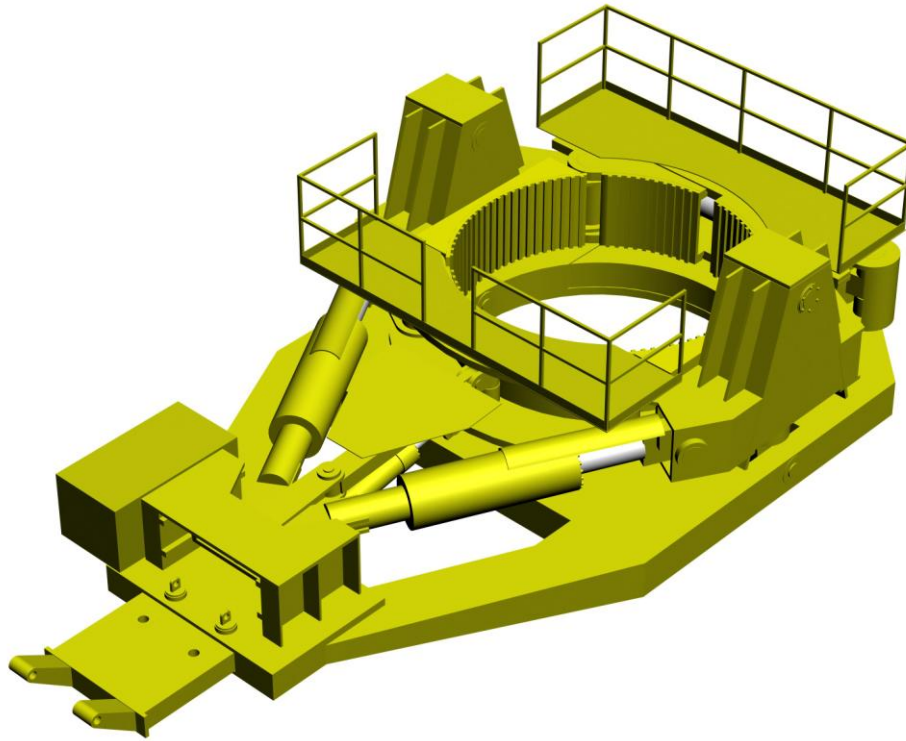
CGJ S-H Casing Oscillators --- Short Type, Heavy Duty Design



Caisson Consultant Inc.
125 Chiswick Cr, Aurora Ontario L4G 6P1
Phone: 905-841-2075 Fax: 905-841-3705

Technical data					
	CGJ1000H-S	CGJ1200H-S	CGJ1500H-S	CGJ1800H-S	CGJ2000H-S
A / Max. Casing diameter	Φ1000mm	Φ1200mm	Φ1500mm	Φ1800mm	Φ2000mm
Operating pressure	31.5Mpa	31.5Mpa	31.5Mpa	31.5Mpa	31.5Mpa
Torque	1000KN.m	1200KN.m	2230 KN.m	2520 KN.m	2960 KN.m
Stroke	500mm	500mm	500mm	500mm	500mm
Lifting force	1680 KN	2350 KN	2750KN	3010 KN	3550 KN
Clamping force	1820 KN	2200 KN	2200 KN	2650 KN	2650 KN
Rotation angle	20°	20°	20°	20°	20°
Casing rotation	175mm	209mm	262mm	314mm	349mm
Weight (approx.)	10.5T	14.8T	20T	26.5T	28.8T
Dimension					
B/ Width of base frame	1950mm	2100mm	2660mm	2820mm	3290mm
C/ Width of clamp	1980mm	2130 mm	2690 mm	2850mm	3320mm
D/ Width on carrier side	850mm	850mm	850mm	850mm	850mm
E/ Overall height	1765mm	1765mm	1765mm	1765mm	1765mm
F/Height on carrier side	960mm	960mm	960mm	960mm	960mm
G/ Height of clamp(with cover)	660mm	660mm	660mm	660mm	660mm
H/Height ground to top of clamp	1160mm	1160mm	1160mm	1160mm	1160mm
J/Dist. Pile axis carrier connection	3100mm	3100mm	3020mm	3020mm	3480mm
Horizontal adjustment length	1120mm	1120mm	1120mm	1120mm	1120mm
K/Dist. Pile axis front of clamp	1000mm	1150mm	1407mm	1550mm	1600mm
L/Dist. Pile axis front of frame	1015mm	1165mm	1422mm	1565mm	1615mm
M/ Overall length	4260mm	4480mm	4650mm	5050mm	5200mm

CGJ L-H Casing Oscillators --- Long Type, Heavy Duty Design



Technical data						
	CGJ1200L-H	CGJ1500L-H	CGJ1800L-H	CGJ2000L-H	CGJ2500L-H	CGJ3000L-H
A / Max. Casing diameter	Φ1200mm	Φ1500mm	Φ1800mm	Φ2000mm	Φ2500mm	Φ3000mm
Operating pressure	31.5Mpa	31.5Mpa	31.5Mpa	31.5Mpa	31.5Mpa	31.5Mpa
Torque	2620KN.m	3230KN.m	3930KN.m	4520KN.m	7860KN.m	9250KN.m
Stroke	500mm	500mm	500mm	500mm	500mm	500mm
Lifting force	3090KN	3090KN	4580KN	4580KN	5260KN	8250KN
Clamping force	2260KN	2260KN	3590KN	3590KN	4960KN	4960KN
Rotation angle	25 ⁰	25 ⁰	25 ⁰	25 ⁰	25 ⁰	25 ⁰
Casing rotation	267mm	327mm	393mm	436mm	545mm	654mm
Weight(approx.)	20T	24.5T	27.8T	33.2T	44.6T	56.8T
Dimension						
B/ Width of base frame	2410mm	2950mm	3200mm	3350mm	3980mm	4650mm
C/Width of clamp	2510mm	3050mm	3300mm	3450mm	4080mm	4750mm
D/Width on carrier side	1015mm	1015mm	1015mm	1015mm	1015mm	1015mm
E/Overall height	1765mm	1765mm	2190mm	2190mm	2550mm	2550mm
F/Height on carrier side	1020mm	1020mm	970mm	980mm	1190mm	2020mm
G/Height of clamp(with cover)	660mm	660mm	660mm	660mm	660mm	660mm
H/Height ground to top of clamp	1120mm	1120mm	1260mm	1350mm	1880mm	2240mm
I/Height crane connection	700mm	700mm	700mm	700mm	700mm	700mm
J/Dist. Pile axis-carrier connection	4260mm	4800mm	5760mm	5810mm	6450mm	7250mm
M/Overall length	5865mm	6450mm	6980mm	7790mm	8970mm	9550mm

Any Inquires Call: Chris Wall, C.E.T.
 Cell: 416-476-9074
 Email: chris@caissonconsultant.com